

OUR LIFETIME GUARANTEE

A WARRANTY DONE RIGHT

At BARE we take our commitment to product quality seriously. Our drysuits in particular are legendary for their durability and longevity with many of our customers getting a full lifetime of use out of their BARE drysuit before passing it on to a friend or family member.

This has allowed us to offer something that no other drysuit manufacturer has been able to do: a Lifetime Guarantee on seams and workmanship. Much more than a warranty, BARE is the first and only drysuit manufacturer to offer a Lifetime Guarantee. Except for normal wear and tear, misuse or negligence, BARE will honor all claims against seams and workmanship for the life of the drysuit worldwide. Even if you're not the original owner, you're covered.

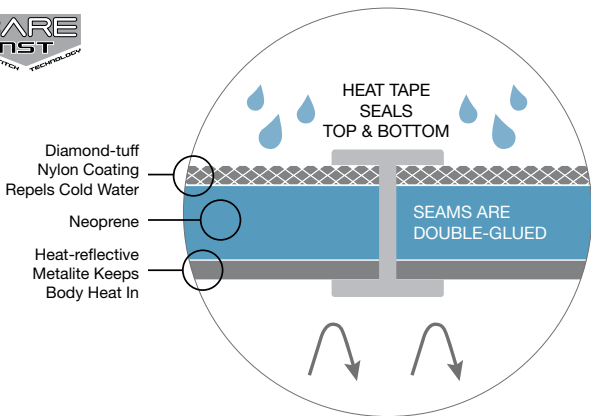
In a category where the next closest competitor only offers a 7-year warranty, we think you'll agree that the BARE Guarantee says something quite extraordinary about the quality of the workmanship, materials and technology that goes into each and every one of our drysuits. We stand behind our workmanship like no one else because you deserve a product like no other.

BARE DRYSUIT INNOVATION

DONE RIGHT FOR OVER 30 YEARS.

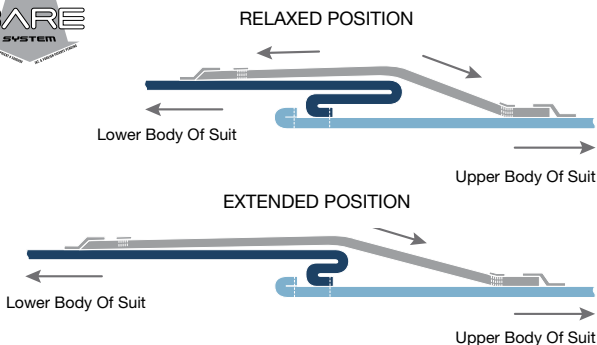
NO STITCH TECHNOLOGY (NST)

This technology makes suits without a single seam stitch. Instead, seams are double-glued and heat taped inside and out. This BARE exclusive delivers superior performance and maximizes the life of your drysuit.



AUTOMATIC TORSO RECOIL (ATR)

The patented ATR system provides amazing flexibility when you're bending, kneeling and reaching upward. It works by maintaining a tucked fold in the center of the suit allowing the top and bottom to move independently of each other. This great feature eliminates the need for a cumbersome crotch strap.

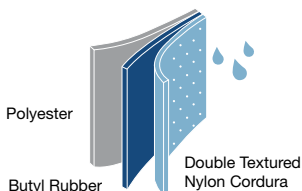


We've been making drysuits for over 30 years and have supplied Coast Guards and technical divers with some of their most trusted gear. Here is a summary of the innovative features that are a part of the BARE drysuit line.

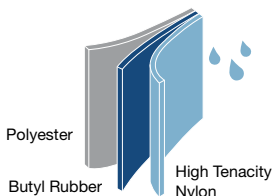
TRILAMINATE HD FABRIC

For both Trilam HD Tech Dry and Pro Dry, butyl rubber is sandwiched between two layers of fabric to create a durable and flexible fabric.

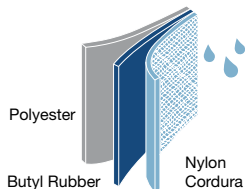
TRILAM HD PRO DRY UPPER FABRIC



TRILAM HD TECH DRY FABRIC



TRILAM HD PRO DRY LOWER FABRIC

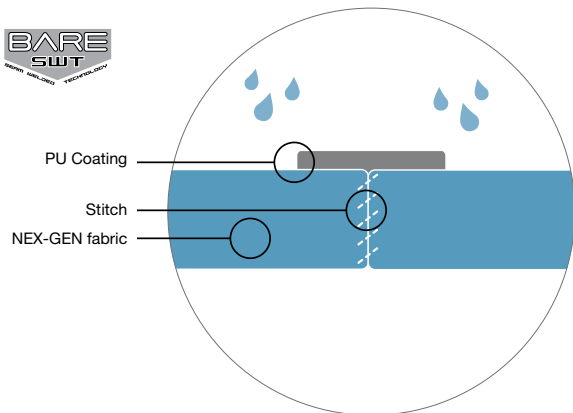


The high tenacity nylon provides the ultimate cut and abrasion resistance, while the polyester lining provides stretch.

The nylon Cordura exterior is highly cut and abrasion resistant, while the polyester inner lining provides stretch.

SEAM-WELDED TECHNOLOGY (SWT)

Using hot air, a polyurethane coated tape is applied to a sewn seam. This activates the glue on the tape, combining the seam and tape into a weld. The combination actually becomes stronger than the surrounding material—creating an unbreakable seam.





XCD2 TECH DRY

True compressed neoprene provides stable buoyancy and thermal performance over the widest depth range. With the correct underwear choice, this suit provides hours of comfort in extreme conditions. This suit features a front zipper, with protective cover, for self-donning ease of entry.

MATERIAL

- 2mm hyper-compressed neoprene, laminated with "DIAMOND-TUFF" nylon

INNOVATION

- Exclusive NST (No Stitch Technology)
- Patented ATR system (Automatic Torso Recoil) controlling torso length

FEATURES

- 3mm neoprene comfort-fit neck seal for warmth and durability
- 2mm nylon/smoothskin warm collar with vented neck drain
- 360 degree swivel inflator valve
- Adjustable low-profile exhaust valve
- HD Bottleneck latex wrist seals with talc bag
- K-PADz knee protection
- Your choice of BARE Boot, or compression-resistant Soft Boot
- Premium badging and reflective patches
- Available in custom, made to measure sizing in North America

SIZES

S, MShort, M, MTall, MLShort, ML, MLTall, LShort, L, LTall, XLShort, XL, XLTall, 2XLShort, 2XL, 3XL

COLORS

Black, Electric Blue, Night Blue, Red, Steel



XCD2 PRO DRY

Using the same compressed neoprene as the XCD2 Tech Dry, this suit provides stable buoyancy and thermal performance over the widest depth range. With the correct underwear choice, this suit provides hours of comfort in extreme conditions. This suit features the traditional shoulder entry zipper.

MATERIAL

- 2mm hyper-compressed neoprene, laminated with "DIAMOND-TUFF" nylon

INNOVATION

- Exclusive NST (No Stitch Technology)

FEATURES

- 3mm neoprene comfort-fit neck seal for warmth and durability
- 2mm nylon/smoothskin warm collar with vented neck drain
- 360 degree swivel inflator valve
- Adjustable low-profile exhaust valve
- HD Bottleneck latex wrist seals with talc bag
- K-PADz knee protection
- Your choice of BARE Boot, or compression-resistant Soft Boot
- Premium badging and reflective patches
- Available in custom, made to measure sizing in North America

MEN'S SIZES & COLORS

S, MShort, M, MTall, MLShort, ML, MLTall, LShort, L, LTall, XLShort, XL, XLTall, 2XLShort, 2XL, 3XL

Colors: Steel, Black, Night Blue, Red, Electric Blue

WOMEN'S SIZES & COLORS

XS, S, M, MTall, L, XL

Colors: Electric Blue, Steel, Black, Night Blue, Red



CD4 PRO DRY / D6 PRO DRY

CD4: The CD4 Pro Dry incorporates high density neoprene for reduced change in buoyancy and thermal efficiency at depth than standard neoprene can offer.

D6: Our D6 has been a benchmark for sport and commercial divers for decades. With 6mm of tough, warm and resilient neoprene, this suit delivers it all.

MATERIAL

- **CD4:** 3.5mm high performance compressed-density neoprene, laminated with "DIAMOND-TUFF" nylon
- **D6:** 6mm high-density compression resistant neoprene, laminated with "DIAMOND-TUFF" nylon.

FEATURES

- 3mm neoprene comfort-fit neck seal for warmth and durability
- 2mm nylon/smoothskin warm collar with vented neck drain
- Easy entry back zipper
- 360 degree swivel inflator valve and adjustable low-profile exhaust valve
- HD Bottleneck latex wrist seals with talc bag
- K-PADz knee protection
- Your choice of BARE Boot, or compression-resistant Soft Boot
- Premium badging and reflective patches
- Available in custom, made to measure sizing in North America

MEN'S SIZES & COLORS

S, MShort, M, MTall, MLShort, ML, MLTall, LShort, L, LTall, XLShort, XL, XLTall, 2XLShort, 2XL, 3XL

Colors: Night Blue, Steel, Black, Red, Electric Blue

WOMEN'S SIZES & COLORS

XS, S, M, MTall, L, XL

Colors: Night Blue, Black, Electric Blue, Red, Steel



MEN'S



WOMEN'S

TRILAM HD TECH DRY

Trilaminate fabric offers lightweight and durability with the added advantage of complete thermal and buoyancy stability at any depth. The suit uses a unique blend of material exclusive to BARE along with commercial grade construction for the professional or serious sport diver. This suit features a front zipper for self-donning ease of entry.

MATERIAL

- Durable high tenacity nylon/butyl/polyester trilaminate throughout

INNOVATION

- Patented ATR system (Automatic Torso Recoil) controlling torso length

FEATURES

- 3mm neoprene comfort-fit neck seal for warmth and durability
- 2mm nylon/smoothskin warm collar with vented neck drain
- 360 degree swivel inflator valve
- Adjustable low-profile exhaust valve
- HD Bottleneck latex wrist seals with talc bag
- 2-needle "felled seam" construction and reinforced "critical-wear" seam points
- K-PADz knee protection with 1mm neoprene backing
- Your choice of BARE Boot, or compression-resistant Soft Boot
- Premium badging and reflective patches
- Available in custom, made to measure sizing in North America

MEN'S SIZES & COLORS

S, MShort, M, MTall, MLShort, ML, MLTall, LShort, L, LTall, XLShort, XL, XLTall, 2XLShort, 2XL, 3XL

Colors: Black, Blue, Red

WOMEN'S SIZES & COLORS

XS, S, M, MTall, L, XL

Colors: Blue, Black, Red



TRILAM HD PRO DRY

Trilaminate fabric offers lightweight and durability with the added advantage of complete thermal and buoyancy stability at any depth. The suit uses a unique blend of material exclusive to BARE along with commercial grade construction for the professional or serious sport diver. This suit features the traditional shoulder entry zipper.

MATERIAL

- Durable high tenacity nylon/butyl/polyester trilaminate throughout

FEATURES

- 3mm neoprene comfort-fit neck seal for warmth and durability
- 2mm nylon/smoothskin warm collar with vented neck drain
- 360 degree swivel inflator valve
- Adjustable low-profile exhaust valve
- HD Bottleneck latex wrist seals with talc bag
- 2-needle "felled seam" construction and reinforced "critical-wear" seam points
- K-PADz knee protection with 1mm neoprene backing
- Your choice of BARE Boot, or compression-resistant Soft Boot
- Premium badging and reflective patches
- Available in custom, made to measure sizing in North America
- Only available in Europe/Asia: men's/women's black w/ white dotted cordura

MEN'S SIZES & COLORS

S, MShort, M, MTall, MLShort, ML, MLTall, LShort, L, LTall, XLShort, XL, XLTall, 2XLShort, 2XL, 3XL

Colors: Black, Blue, Red

WOMEN'S SIZES & COLORS

XS, S, M, MTall, L, XL

Colors: Black, Blue, Red



NEX-GEN PRO DRY

Offered with many popular features as standard, the Nex-Gen has style and durability at an excellent price. This suit features the traditional shoulder entry zipper.

MATERIAL

- BARE's exclusive lightweight, waterproof Nex-Gen welded fabric (abrasion resistant nylon/polyurethane bilaminate)

INNOVATION

- Exclusive SWT (Seam Welded Technology)

FEATURES

- Trimmable latex neck seal
- 360 degree swivel inflator valve
- Adjustable low-profile exhaust valve
- HD Bottleneck latex wrist seals with talc bag
- K-PADz knee protection with 1mm neoprene backing
- Delivered with compression-resistant Soft Boot
- Screened graphics and reflective badge
- Not available in Europe/Asia

MEN'S SIZES & COLORS

S, MShort, M, MTall, MLShort, ML, MLTall, LShort, L, LTall, XLShort, XL, XLTall, 2XLShort, 2XL, 3XL

Colors: Black

WOMEN'S SIZES & COLORS

XS, S, M, MTall, L, XL

Colors: Black

DRYSUIT UNDERWEAR



MEN'S



CT200 BOOT LINER

Added protection for your feet with the same materials and construction as the CT200 underwear

UNISEX SIZES:
M, L, XL, 2XL

COLOR Black



WOMEN'S

SUPER HI-LOFT POLARWEAR EXTREME

Super plush and super warm, this underwear offers a double layer of Hi-Loft Thinsulate™ in the torso for extreme cold water diving. If you find that you tend to get cold quickly, this is the drysuit underwear for you.

MATERIAL

- Super soft Rip Stop nylon exterior with Double Hi-Loft Thinsulate™ in torso and Single Hi-Loft in arms and legs

HI-LOFT POLARWEAR EXTREME

Just like the Super Hi-Loft but without the additional layer of Thinsulate™ in the torso.

MATERIAL

- Super soft Rip Stop nylon exterior with Hi-Loft Thinsulate™ in torso, arms and legs

CT200 POLARWEAR EXTREME

This underwear uses compressed Thinsulate™ that offers less bulk, but still extremely effective insulation for everything but the coldest dives.

MATERIAL

- Super soft Rip Stop nylon exterior with compressed Thinsulate™ in torso, arms and legs

T100 POLARWEAR MEN'S ONLY

The perfect choice when you require a small amount of extra thermal protection. The T100 combines many of the same features as our Super Hi-Loft series with a regular loft Thinsulate™.

MATERIAL

- Super soft Rip Stop nylon exterior with loft Thinsulate™ in torso, arms and legs

ALL BARE DRYsuit UNDERWEAR FEATURES:

CONSTRUCTION

- LUMBARE-X-TENDER panel in lower back with HYDROSTRETCH in critical areas
- Extra long front zipper with "2-way" convenience for men and rear "drop seat" zipper for women

FEATURES

- Zip chest pocket, hand warmer pockets and ribbed knit cuffs & collar
- Grommets positioned for moisture venting
- Foot stirrups and thumb loops for donning ease
- Articulated knees

SIZES

Men: S, MShort, M, MTall, MLShort, ML, MLTall, LShort, L, LTall, XLShort, XL, XLTall, 2XLShort, 2XL, 3XL

Women: XS, S, M, MTall, L, XL

COLORS

Black

DRYSUIT UNDERWEAR



Climate Control Top



Climate Control Plus Top



Climate Control Pant



Climate Control Plus Pant

CLIMATE CONTROL TOP

MATERIAL

- Made from ultra-lightweight POLARTEC 100 micro-series fleece designed specifically for next-to-skin layering

FEATURES

- Provides warmth and super-soft comfort while also offering moisture management and quick-drying characteristics to keep you dryer
- Micro-series fleece is non-pill and breathable
- Includes a mock neck collar
- Flatseamed construction throughout

CLIMATE CONTROL PLUS TOP

MATERIAL

- Made from POLARTEC 200 series double sided fleece for added warmth

FEATURES

- Incorporating a double-face fleece material for maximum comfort, this fleece top also includes moisture management characteristics to keep you dryer
- Features a convenient front zip pullover design
- Designed with additional length to allow for tucking into Climate Control Pant

CLIMATE CONTROL PANT

MATERIAL

- Made from ultra-lightweight POLARTEC 100 micro-series fleece designed specifically for next-to-skin layering

FEATURES

- Provides warmth and super-soft comfort while also offering moisture management and quick-drying characteristics
- Micro-series fleece is non-pill and breathable
- Features elasticized drawstring waist
- Durable athletic-knit nylon/lycra foot stirrup to keep pant legs in place
- Includes front fly and key pocket for convenience

CLIMATE CONTROL PLUS PANT

MATERIAL

- Made from POLARTEC 200 series double sided fleece for added warmth on cold days

FEATURES

- Incorporating a double-face fleece material for maximum comfort, this fleece pant also includes moisture management characteristics to keep you dryer
- Includes an elasticized drawstring waist
- Durable athletic-knit nylon/lycra foot stirrup to keep pant legs in place
- Includes front fly for convenience
- Single entry hand warmer side pocket (left side) and dual entry hand warmer side pocket (right side)

ALL CLIMATE CONTROL / CLIMATE CONTROL PLUS
TOPS & PANTS AVAILABLE IN:

SIZES & COLORS

S, M, L, XL, 2XL, 3XL **Colors:** Black

All Climate Control series underwear can be layered with any of the POLARWEAR series underwear for added comfort.

DRYSUIT ACCESSORIES

TECH DRY HOOD WITH ZIPPER



- 7mm N2S neoprene with 5mm TWIN-SKIN face seal for effective full face mask sealing
- Vented to allow trapped air to escape
- Radar and light reflective patch for added safety
- Gusseted back zipper for easy entry
- Hood neck seal mates with drysuit seal/collar

UNISEX SIZES XS, S, M, L, XL, 2XL

COLORS Black

ELASTEK DRY HOOD / DRY HOOD



Elastek
Dry Hood

Dry Hood

- **Elastek Dry Hood:** 7mm neoprene with FULL-STRETCH ELASTEK material for ultimate stretch and comfort. 5mm ELASTEK/GLIDESKIN trimmable face and neck seal glides nicely over your hair
- **Dry Hood:** 7mm N2S neoprene with 5mm N1S trimmable face seal
- Vented to allow trapped air to escape
- Hood neck seal mates with drysuit seal/collar

UNISEX SIZES XS, S, M, L, XL, 2XL

COLORS Black

TREK BOOTS



- Designed for all BARE drysuits equipped with compression-resistant Soft Boots
- Excellent support for rocky shore entries, boat decks and boat ladders
- Velcro ankle closure, thumb loop and fin tab
- Durable toe and heel cap

UNISEX SIZES USA 5-13

COLORS Blue

DRYSUIT BAG



- Fits any style of BARE drysuit and folds into its own pocket
- Includes straps with one outside and one inside zippered pocket
- Hanging loop with drawstring and cord lock

SIZE 28" x 15" x 15"

COLORS Black

DRY GLOVES



- Dry glove set includes docking rings and gloves with separate thermal liners
- Quick clamps, or, installed cuff-rings required to attach dry gloves to drysuit
- Quick clamps allow dry glove set to be attached to existing latex wrist seals

UNISEX SIZES M, L, XL

COLORS Blue

DRYSUIT SUSPENDER KIT



- Adjustable heavy duty suspenders
- Kit includes: 3 anchor points with female buckle component and suspenders with male buckle component
- Adhesive not included

SIZE One Size

COLORS Black

DRYSUIT GAITOR SYSTEM



The BARE Gaitor provides replaceable supplementary lower leg abrasion protection along with adjustable tension control to prevent excess air entering the boots.

- Front Section: HD High Tenacity Nylon Butyl Trilam with K-Pad Kevlar knee pad
- Rear Section: 3mm Nylon 2 sides neoprene for leg compression
- 1.5" adjustable Velcro tension control straps

SIZES S,M, L



LEFT TO RIGHT:

STANDARD POCKET

BELLOWS POCKET WITH FLAP/WITH ZIPPER

KNIFE POCKET

- **Standard or Bellows Pocket:** Available in neoprene, Cordura or DEV215 material

- **Bellows Pocket:** Available with velcro flap or zipper closure

- **Knife Pocket:** Available in neoprene material only

SIZE One Size

COLORS Black

DRYSUIT FEATURES, OPTIONS AND SIZE CHARTS

It's all in the detail when it comes to making our products fit right. To find your size, start with your weight and narrow your choice by selecting your height, chest, waist and hip measurements. If you find you're between sizes, try on both. When you put on BARE, it should feel like it was custom-made just for you.

KEY FEATURES	XCD2 Tech Dry	XCD2 Pro Dry	CD4 Pro Dry	D6 Pro Dry	Trilam HD Tech Dry	Trilam HD Pro Dry	NEX-GEN Pro Dry
NST (No Stitch Technology)	•	•	•	•			
SWT (Seam-Welded Technology)							•
ATR (Automatic Torso Recoil)	•				•		
Trilaminar fabric					•	•	
Hyper-Compressed 2mm Neoprene	•	•					
Compressed-Density 4mm Neoprene			•				
High-Density 6mm Neoprene				•			
Flexible & Weldable NEX-GEN Fabric							•
Self-Donning Front Zipper	•				•		
Easy-Entry Back Zipper		•	•	•		•	•
Reflective Patches	•	•	•	•	•	•	
SI-Tech Valves w/ Lp Hose	•	•	•	•	•	•	•
Storage & Carrying Bag w/ Manual	•	•	•	•	•	•	•
"K-Padz" Knee Protection	•	•	•	•	•	•	•
Suspender Tabs	•	•	•	•	•	•	
Optional Thigh Pockets	•	•	•	•	•	•	•